

08028GS

DC Blower Fan

 $\Phi 80 \times 28^L$


General Specifications

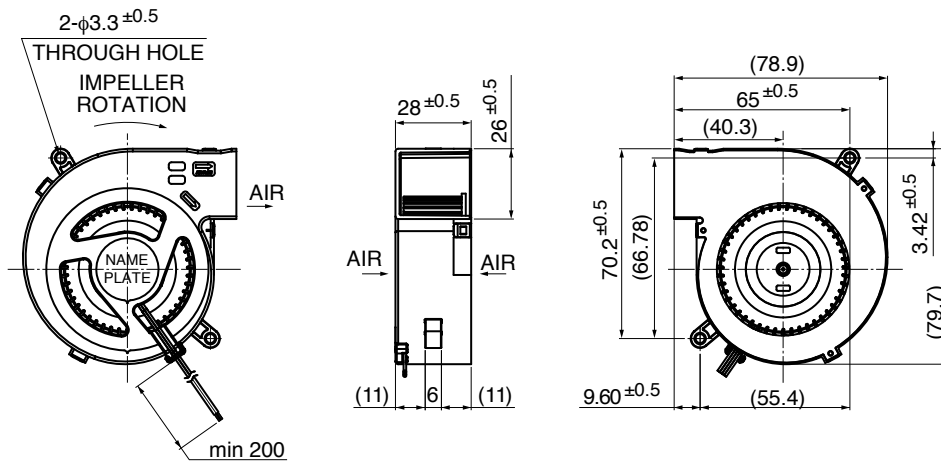
Motor Protection	Auto Restart
Insulation Resistance	10M Ω or over with a DC500V Megger
Dielectric Withstand Voltage	: AC700V 1s
Allowable Ambient Temperature Range	: - 10°C ~ + 60°C (Operating) - 40°C ~ + 70°C (Storage) non-condensing environment

Expected Life

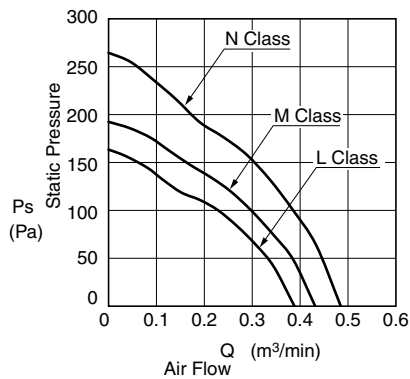
※ Failure Rate: 10% (L10 Life)

60°C 20,000 (Hours)

Outline



Characteristic Curves



Material

Casing Lower	: Plastic (Black) UL94V-0
Casing Upper	: Steel
Impeller	: Plastic (Black) UL94V-0
Bearing	: Sleeve Bearing
Lead Wire	: UL1061 AWG26 + : Red, - : Black

Specifications

Model	Product No.	Rating Voltage	Operating Voltage	Current	Input Power	Speed	Max. Air Flow		Max. Static Pressure	Noise	Mass	
		(V)	(V)	(A)*1	(W)*1	(min ⁻¹)*1	(m ³ /min)*1	(CFM)*1	(Pa)*1	(In H ₂ O)*1	(dB)*1	(g)
08028GS-12L-AA-	00	12	6.0 ~ 13.8	0.18	2.16	2950	0.38	13.4	164.0	0.66	34.0	77
08028GS-12M-AA-	00			0.25	3.00	3300	0.43	15.2	190.0	0.76	37.0	
08028GS-12N-AA-	00			0.36	4.32	3650	0.48	16.9	266.0	1.06	40.0	

Rotation: Clockwise as seen from the label side

*1: Average Values in Free Air